

1 Products affected

Product hierarchy no. *				Part no.	SBU	Type / Description	Customer part no.
SBU	PG	PUG	Type				
02	005	012	0000001153	See list below	Power Entry Modul w/o Filter	Fusedrawer 1	

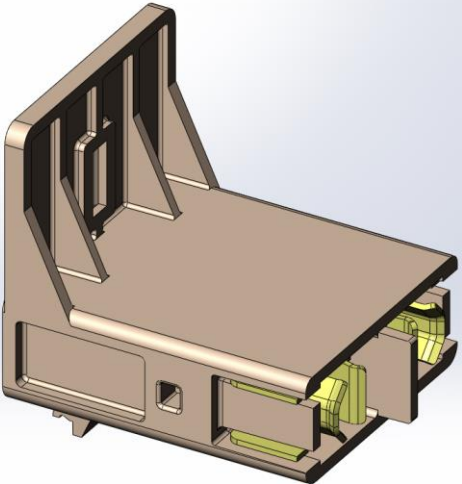
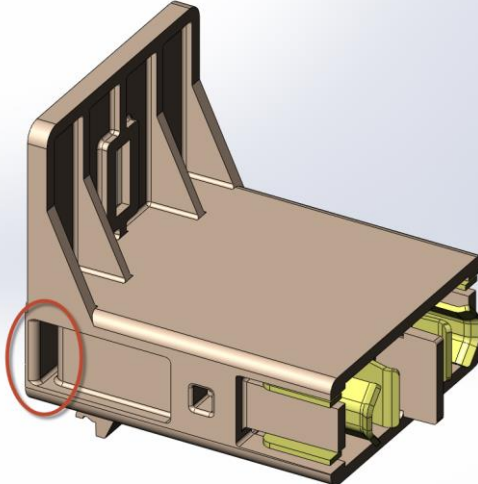
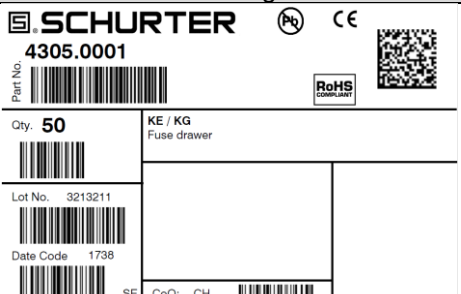
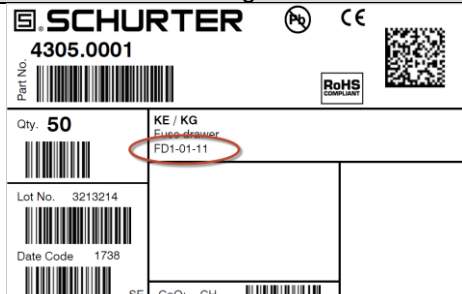
*SBU (2-digit) / PG (3-digit) / PUG (3-digit) / Type (10-digit)

List of part numbers affected				
4305.0001	4305.0006	4305.0011	4305.0016	4305.0018
4305.0021	4305.0026			

2 Type of change

- Change of plastic material
- Change of fusedrawer design (additional air gap)
- Inclusion of configuration code on label

3 Detailed description of change

Old product appearance without air gap	New product appearance with air gap
	
Old label without configuration code	New label with configuration code
	

4 Reason of change

- Product improvement to fulfil the enhanced glow wire requirements according to the updated standard IEC 60127-6 and the standard IEC 60335-1 for appliances in unattended use.
- Recertification by VDE
- Recertification by UL
- Improvement of thermal behaviour to reduce temperatures at touchable surfaces.

5 Release date

The change will be rolled-out starting ww 39/2017 and lasts until 06th of October, 2017.

Product Change Notification					PCN FD1		
owner	creation date	release date	released by	change order no	rev	page	D10-018-511
huberth	18.09.2017	21.09.2017	buerglal	2013733	A	1 of 2	

6 Impact of change and recommended action

Form	Yes	Change of plastic material, additional air gap
Fit	No	No change for dimension
Function	No	No change in function
Manufacturing	No	No change for manufacturing site
Label	Yes	Configuration code indicated on label
Packaging	No	No change in packaging

7 Reference Documents / Attachments

Kind of document	Remarks
Data Sheet FD1	

Product Change Notification					PCN FD1		D10-018-511
owner	creation date	release date	released by	change order no	rev	page	
huberth	18.09.2017	21.09.2017	buerglal	2013733	A	2 of 2	